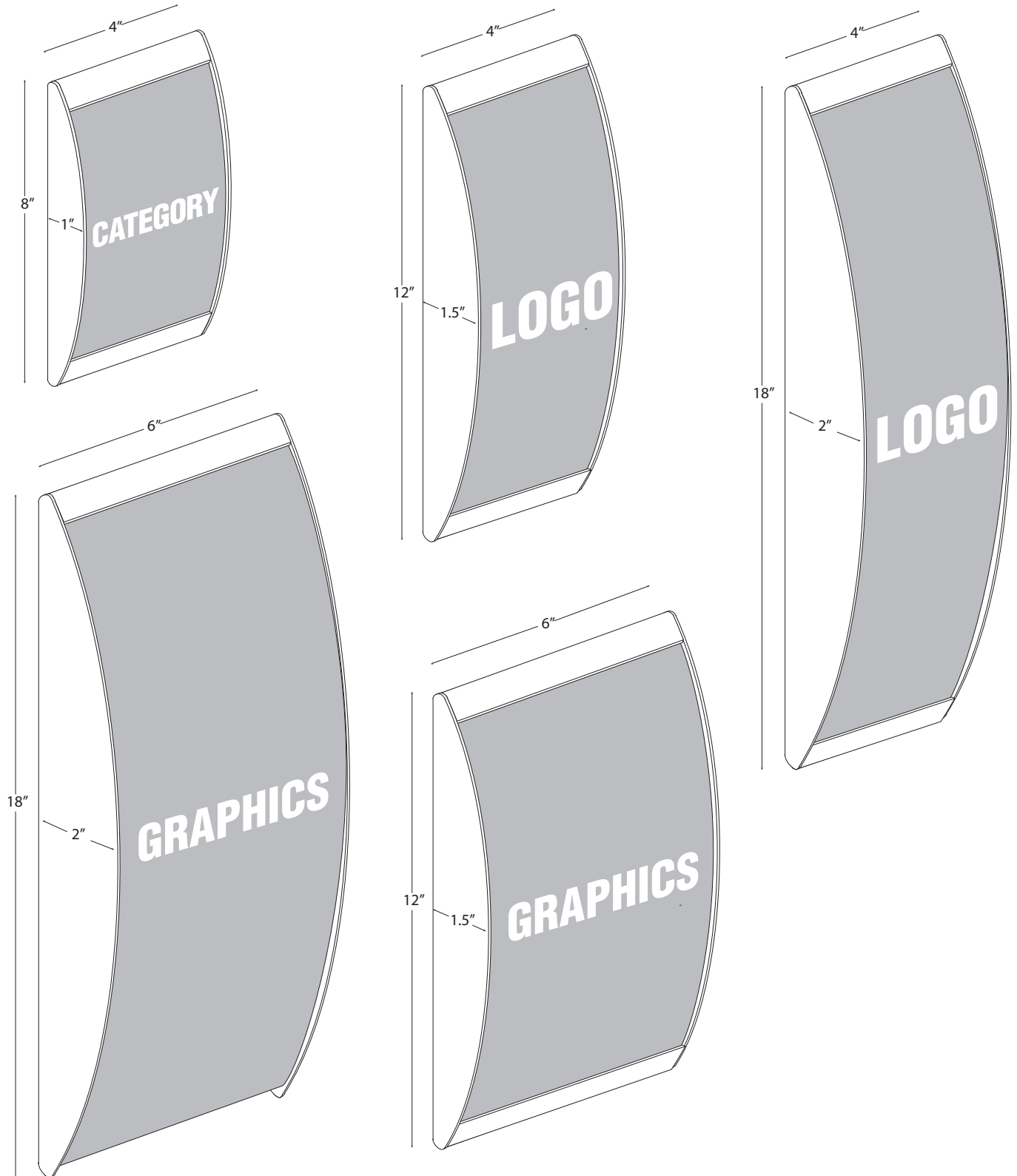


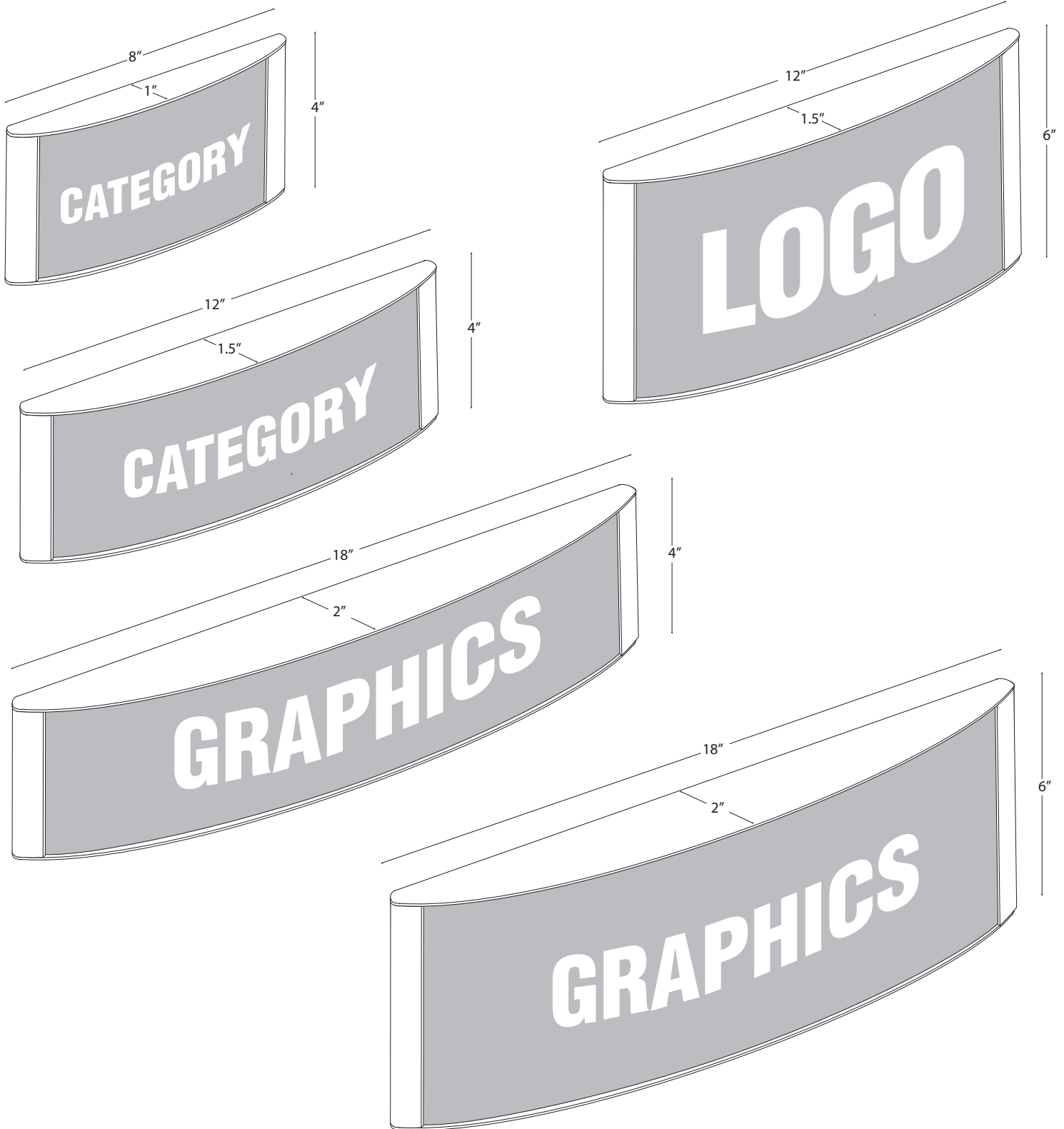
# Plastic Crescent Sign Sizes



Patents Pending. Intellectual Property of T.M. Shea Products. All rights reserved. © 2014

Warning: The material on these pages are proprietary and shall remain exclusive intellectual property of T.M. Shea Products, Inc. Under no circumstances are any P.O.P. display producers, suppliers, designers, brokers, or employees of such a trade company permitted to utilize this material in any way, shape, or form without the expressed written consent of T.M. Shea Products. Violators will be prosecuted to the fullest extent of the law.

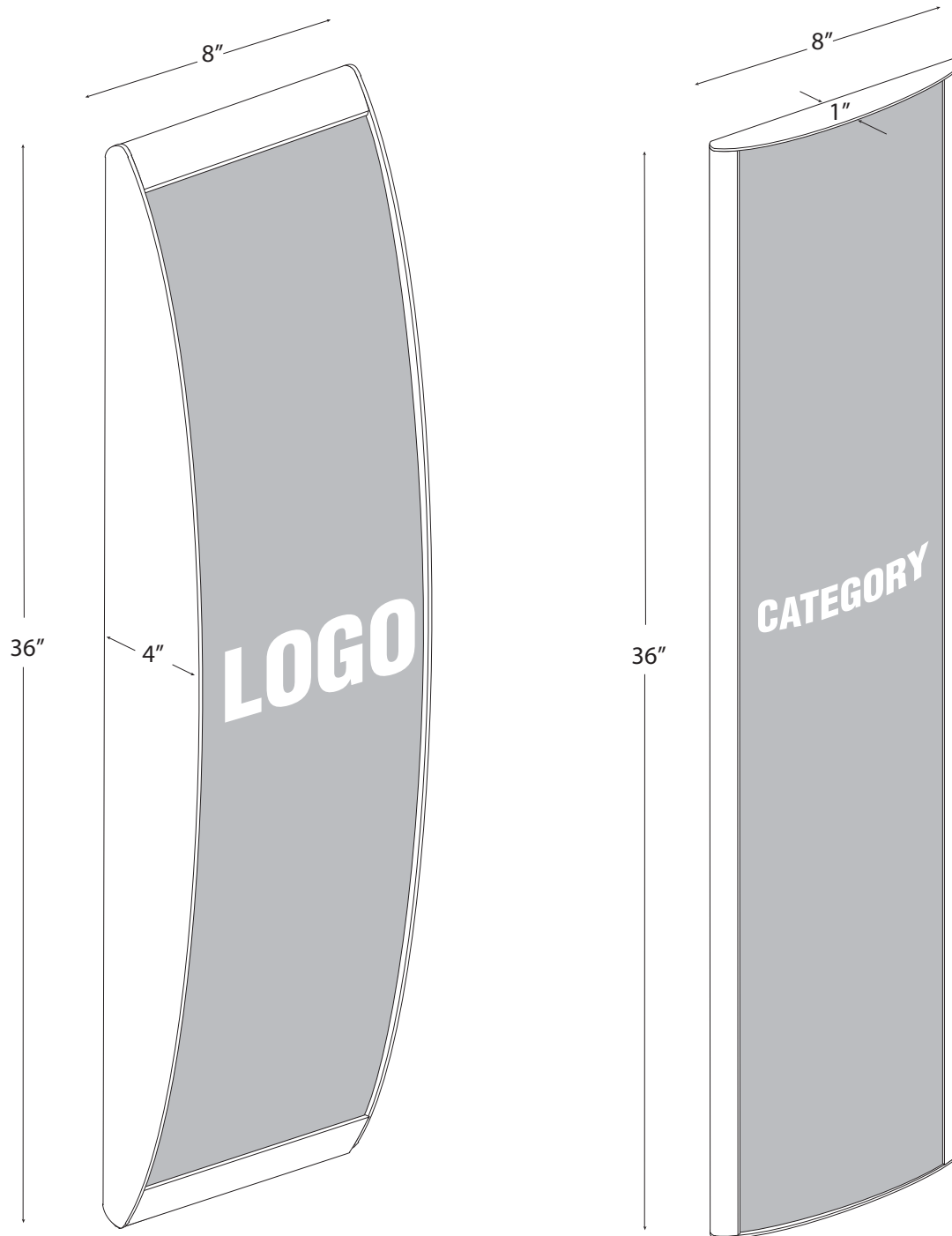
# Plastic Crescent Sign Sizes



Patents Pending. Intellectual Property of T.M. Shea Products. All rights reserved. © 2014

Warning: The material on these pages are proprietary and shall remain exclusive intellectual property of T.M. Shea Products, Inc. Under no circumstances are any P.O.P. display producers, suppliers, designers, brokers, or employees of such a trade company permitted to utilize this material in any way, shape, or form without the expressed written consent of T.M. Shea Products. Violators will be prosecuted to the fullest extent of the law.

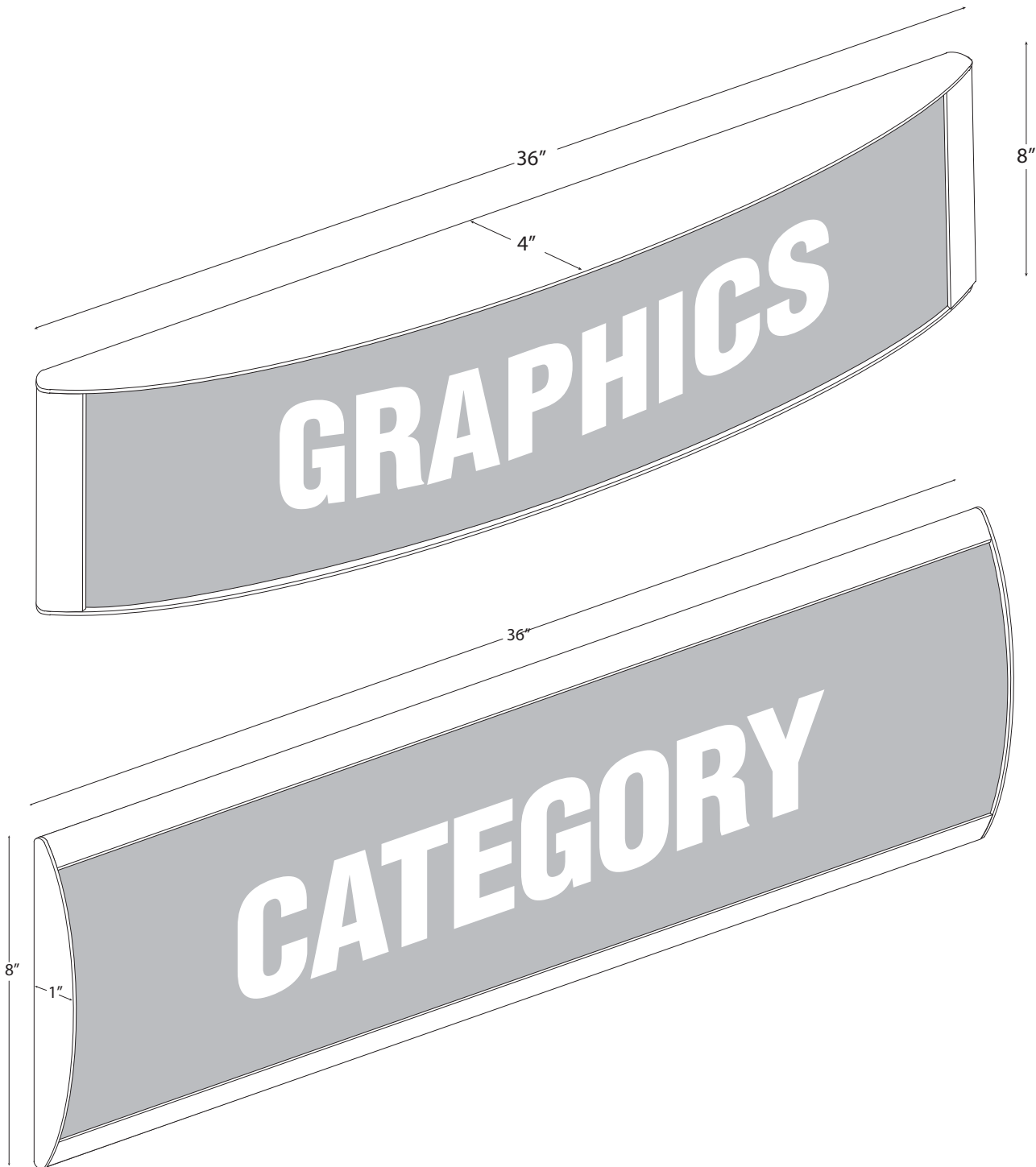
# Plastic Crescent Sign Sizes



Patents Pending. Intellectual Property of T.M. Shea Products. All rights reserved. © 2014

Warning: The material on these pages are proprietary and shall remain exclusive intellectual property of T.M. Shea Products, Inc. Under no circumstances are any P.O.P. display producers, suppliers, designers, brokers, or employees of such a trade company permitted to utilize this material in any way, shape, or form without the expressed written consent of T.M. Shea Products. Violators will be prosecuted to the fullest extent of the law.

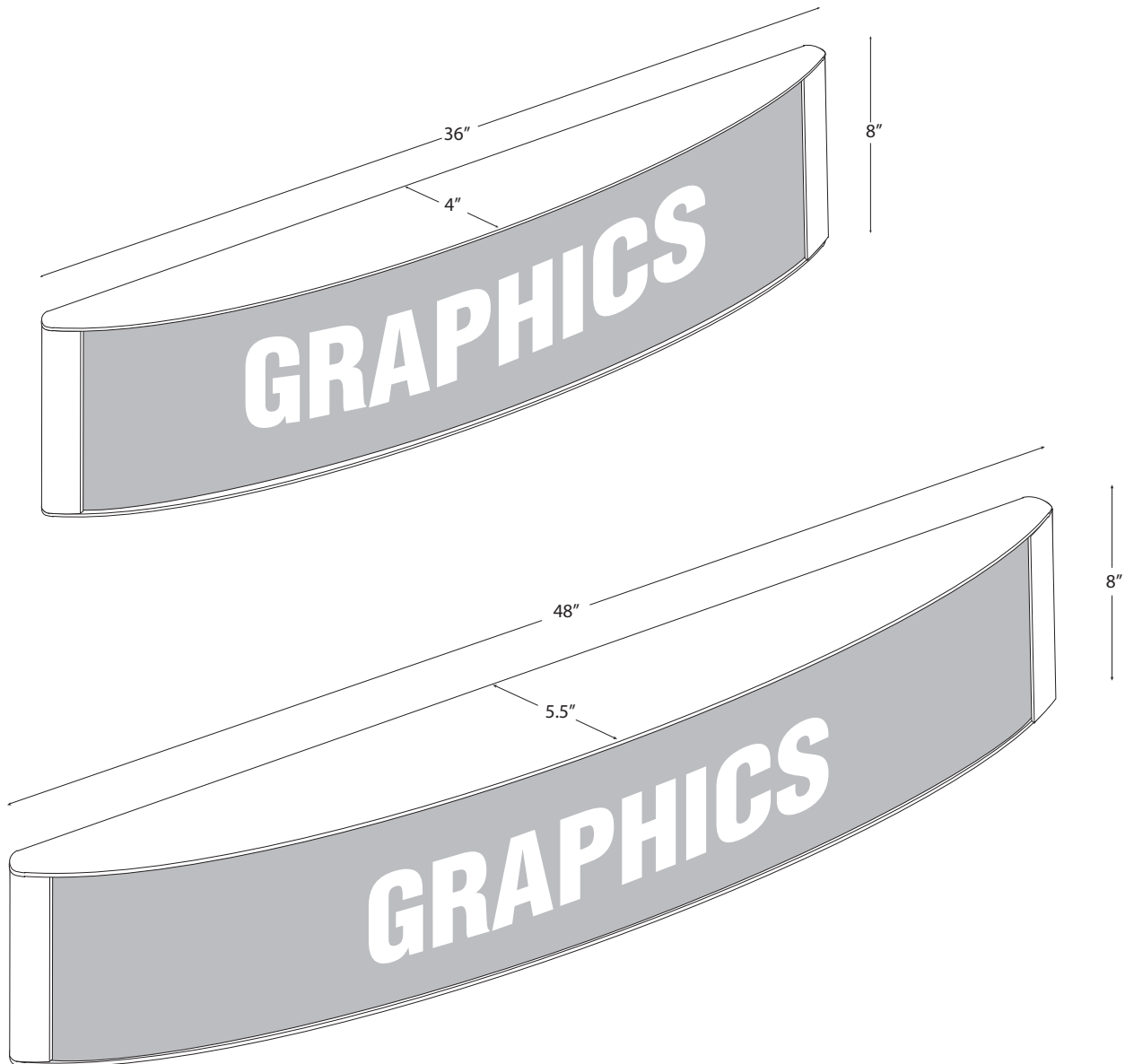
# Plastic Crescent Sign Sizes



Patents Pending. Intellectual Property of T.M. Shea Products. All rights reserved. © 2014

Warning: The material on these pages are proprietary and shall remain exclusive intellectual property of T.M. Shea Products, Inc. Under no circumstances are any P.O.P. display producers, suppliers, designers, brokers, or employees of such a trade company permitted to utilize this material in any way, shape, or form without the expressed written consent of T.M. Shea Products. Violators will be prosecuted to the fullest extent of the law.

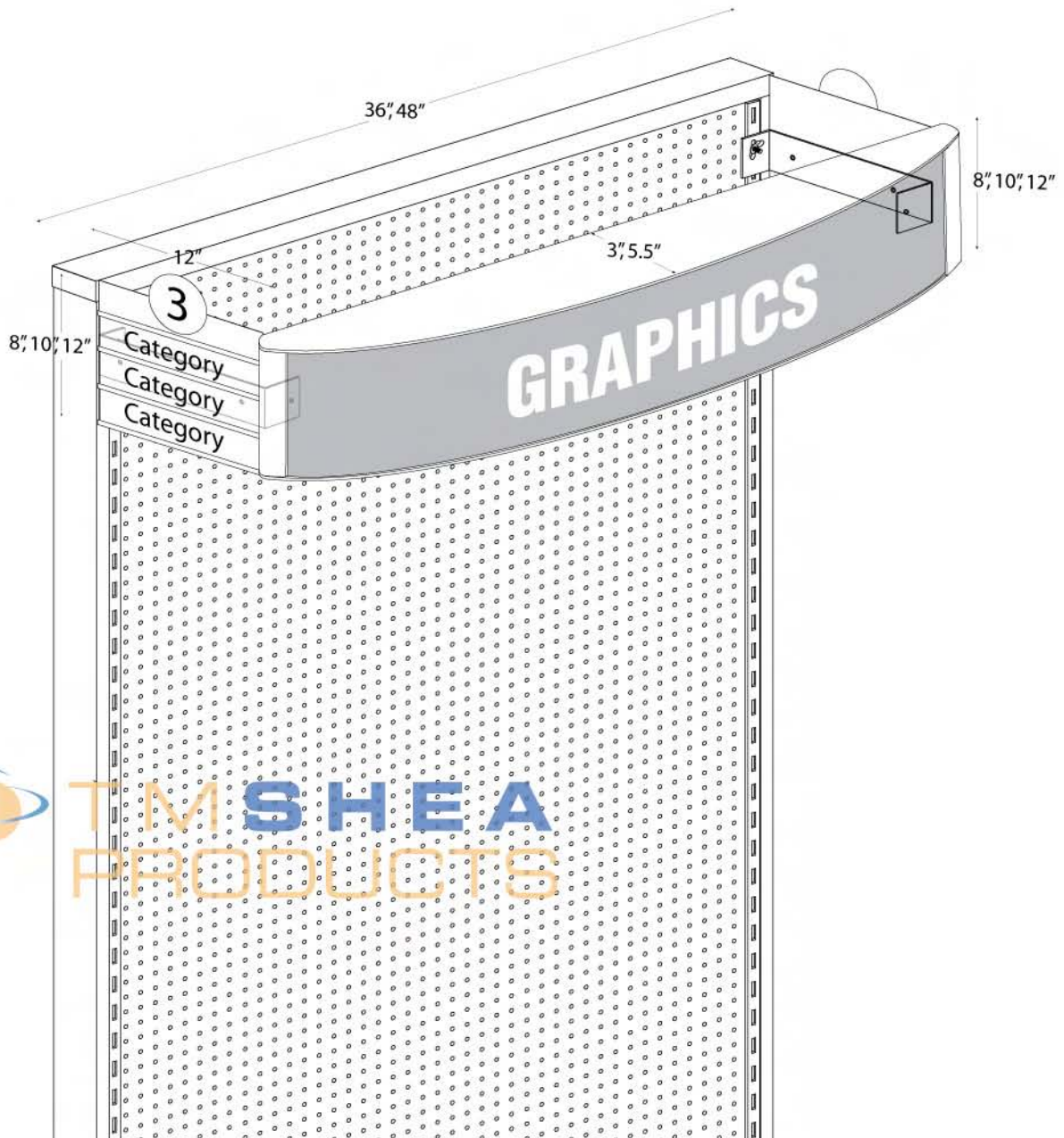
# End Cap Plastic Crescent Sign Sizes



Patents Pending. Intellectual Property of T.M. Shea Products. All rights reserved. © 2014

Warning: The material on these pages are proprietary and shall remain exclusive intellectual property of T.M. Shea Products, Inc. Under no circumstances are any P.O.P. display producers, suppliers, designers, brokers, or employees of such a trade company permitted to utilize this material in any way, shape, or form without the expressed written consent of T.M. Shea Products. Violators will be prosecuted to the fullest extent of the law.

# End Cap Wayfinding Sign System with Extended Crescent Sign



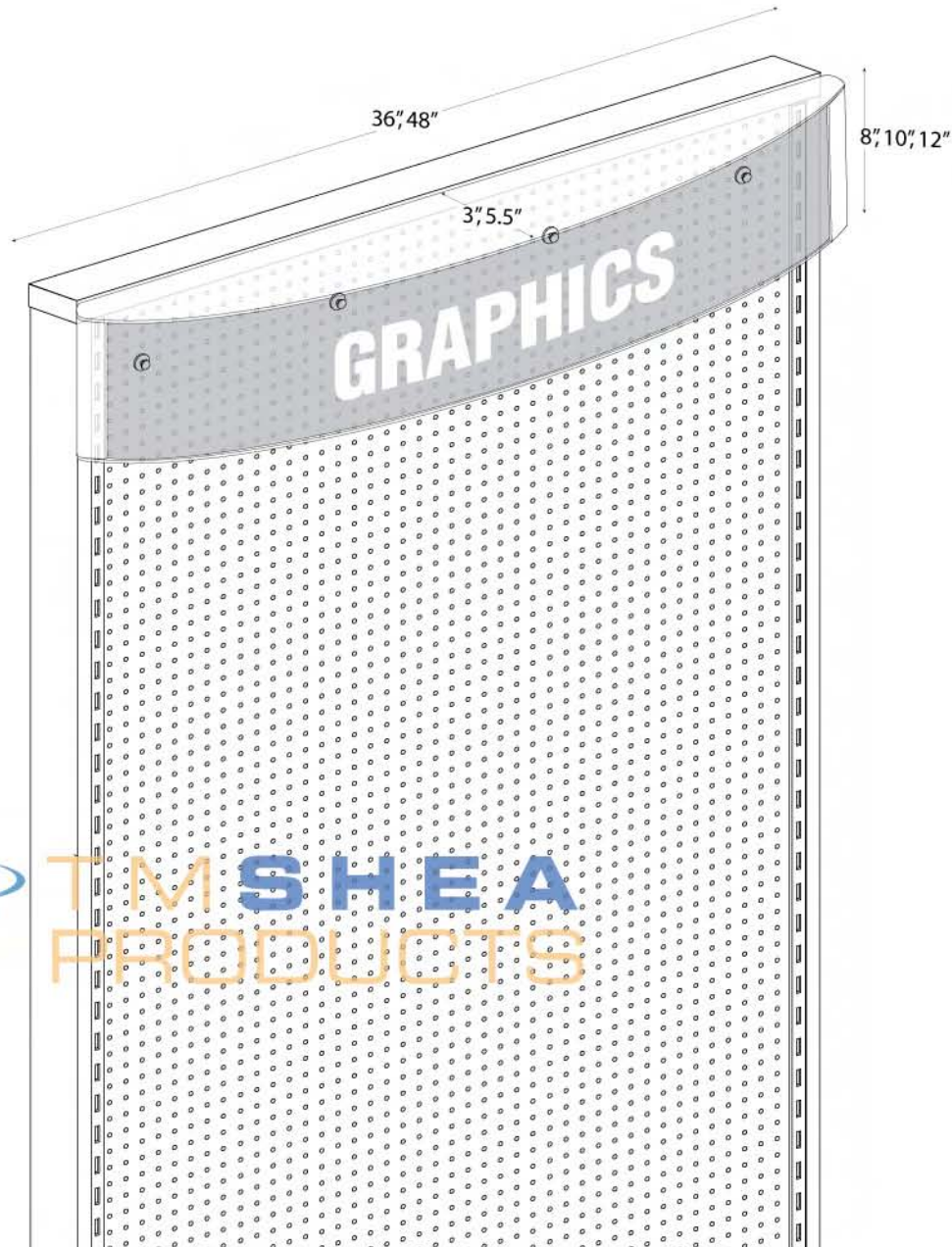
Patents Pending. Intellectual Property of T.M. Shea Products. All rights reserved. © 2015

Warning: The material on these pages are proprietary and shall remain exclusive intellectual property of T.M. Shea Products, Inc. Under no circumstances are any P.O.P. display producers, suppliers, designers, brokers, or employees of such a trade company permitted to utilize this material in any way, shape, or form without the expressed written consent of T.M. Shea Products. Violators will be prosecuted to the fullest extent of the law.





# End Cap Wayfinding Sign System with Flush Mount Crescent Sign

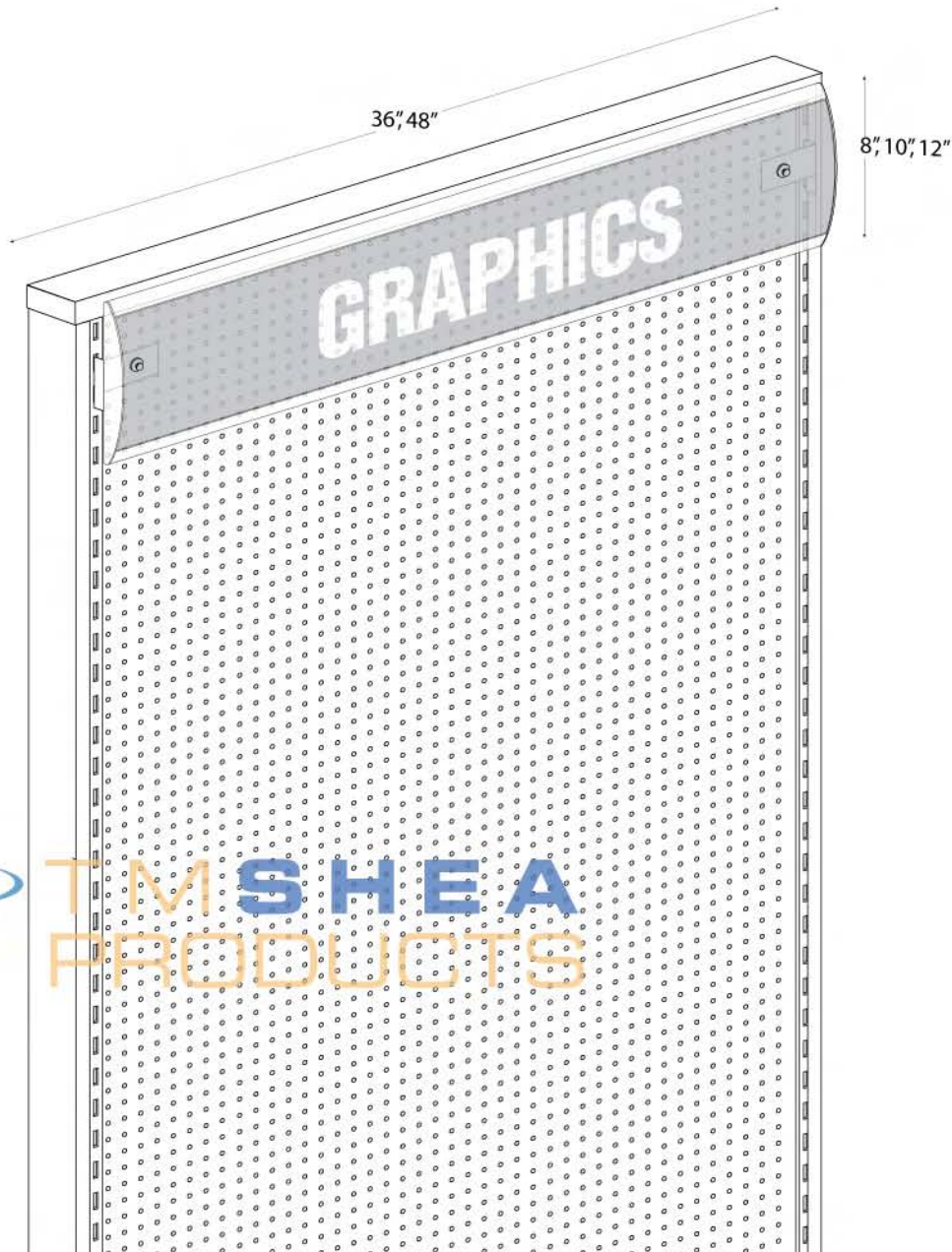


Patents Pending. Intellectual Property of T.M. Shea Products. All rights reserved. © 2015

Warning: The material on these pages are proprietary and shall remain exclusive intellectual property of T.M. Shea Products, Inc. Under no circumstances are any P.O.P. display producers, suppliers, designers, brokers, or employees of such a trade company permitted to utilize this material in any way, shape, or form without the expressed written consent of T.M. Shea Products. Violators will be prosecuted to the fullest extent of the law.



# Flush Mount Crescent Sign System



Patents Pending. Intellectual Property of T.M. Shea Products. All rights reserved. © 2015

Warning: The material on these pages are proprietary and shall remain exclusive intellectual property of T.M. Shea Products, Inc. Under no circumstances are any P.O.P. display producers, suppliers, designers, brokers, or employees of such a trade company permitted to utilize this material in any way, shape, or form without the expressed written consent of T.M. Shea Products. Violators will be prosecuted to the fullest extent of the law.